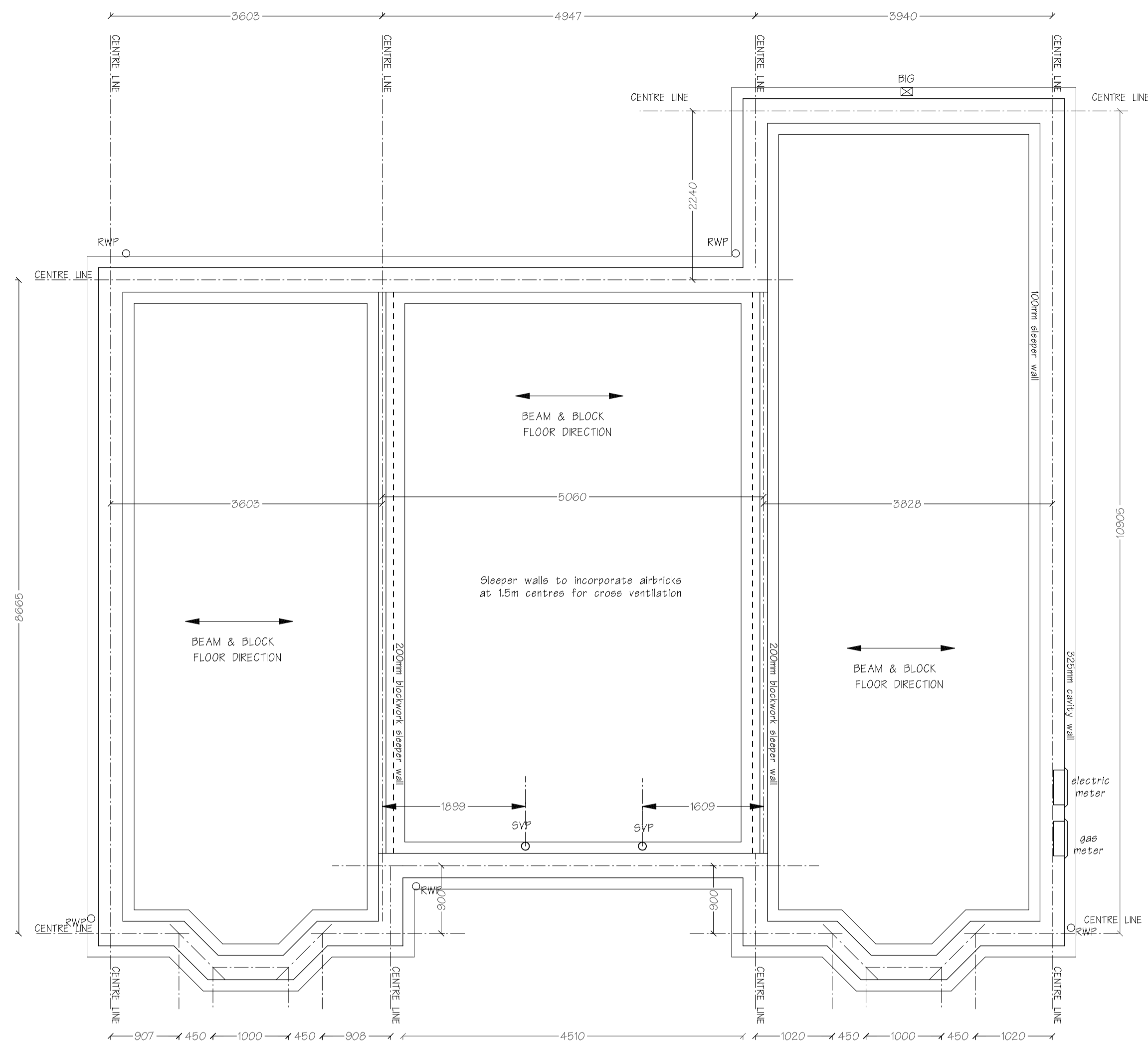


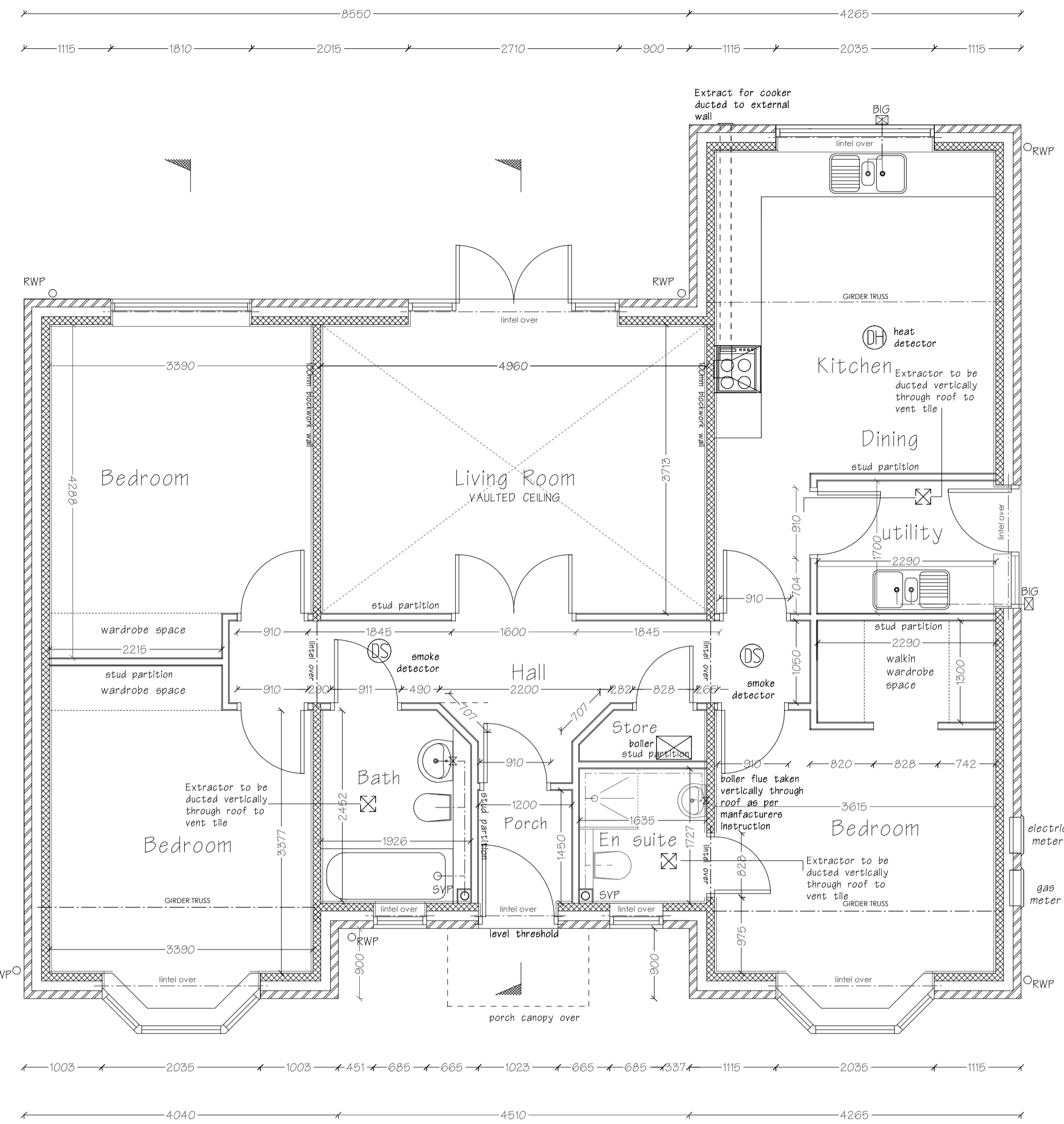
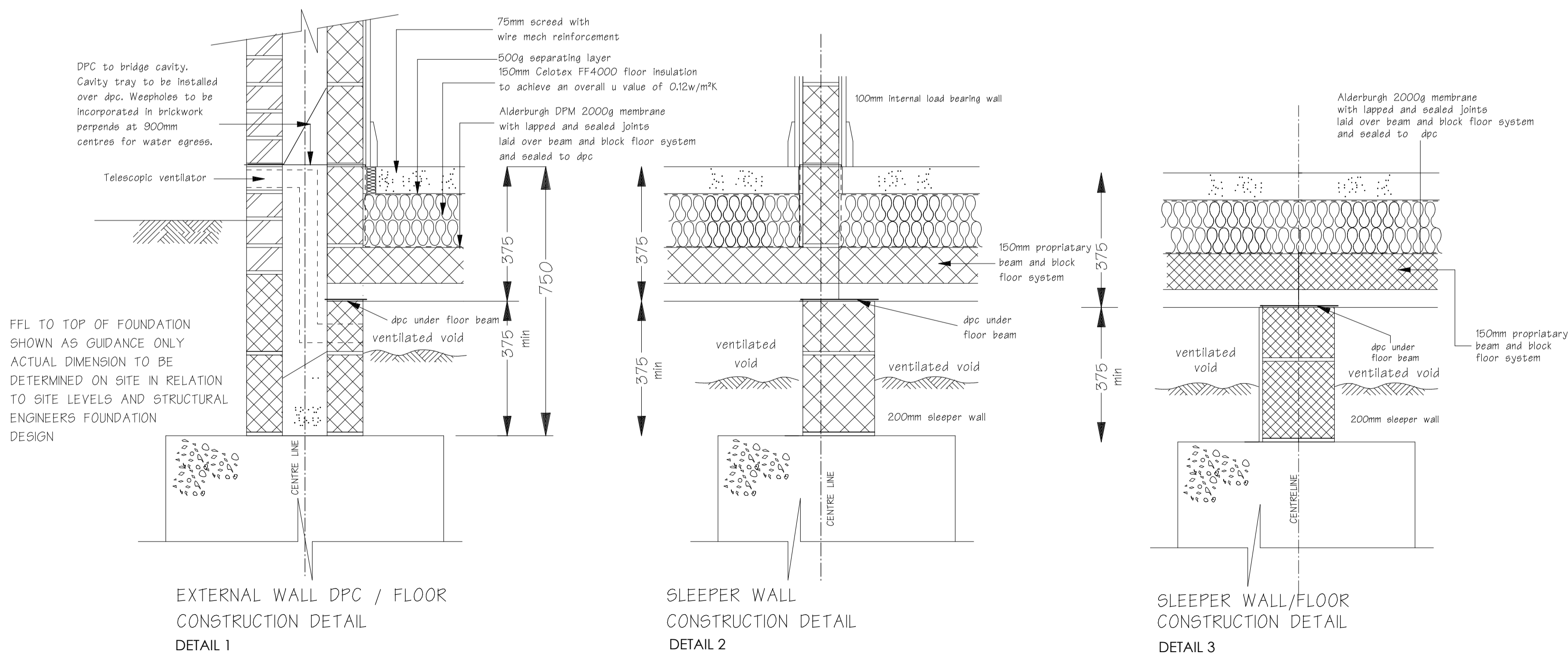
preliminary



FOUNDATION PLAN

This foundation plan is for wall centreline setting out purposes only.

TRIAL HOLE TO BE EXCAVATED TO ESTABLISH GROUND CONDITIONS PRIOR TO ANY WORKS COMMENCING FOUNDATION SIZE TYPE AND DEPTH TO BE AGREED ON SITE WITH BUILDING CONTROL. GROUND CONDITIONS MUST ALSO BE SUITABLE FOR BEAM & BLOCK SYSTEM SHOWN. IF POOR GROUND IS ENCOUNTERED THEN RAFT FOUNDATION/SLAB OR SIMILAR MUST BE ADOPTED



FLOOR PLAN

WALL HATCHING KEY

- 325mm CAVITY WALL - 102.5mm FACING BRICK/125mm CAVITY (FULL FILL)/100mm BESBLOCK STAR
- PERFORMER BLOCK STRUCTURAL ENGINEER TO CONFIRM CRUSHING STRENGTH
- STUD PARTITION (SEE SPEC BELOW)

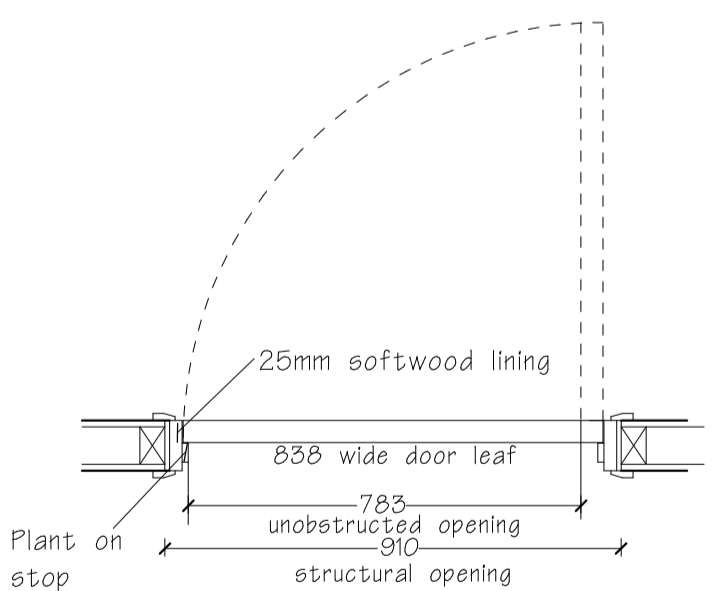
NOTE :

ACCREDITED CONSTRUCTION DETAILING TO BE FOLLOWED ON SITE. DETAILS ARE AVAILABLE AT WEBSITE: <http://www.planningportal.gov.uk/buildingregulations/approveddocuments/part1/bcassociateddocuments>

ALL LINTELS TO BE SPECIFIED BY SPECIALIST LINTEL SUPPLIER (eg CATNIC OR SIMILAR)

STUD PARTITIONS
100mm overall thickness comprising 75 x 30mm s.w. studwork at 600mm centre sole plate to be 75 x 75mm softwood with 12.5mm plasterboard and skim to both sides. Plasterboard to have minimum mass per unit area of 10kg/m² (Gyproc '10' wallboard or similar). Unfaced mineral wool batte (min thickness 25mm min density 10kg/m) suspended in cavity. In areas of ceramic tiling (ie: bathrooms and shower rooms) 12.5mm moisture resistant board to be used.

TYPICAL GROUND FLOOR INTERNAL DOOR DETAIL
Circulation within accessible storey of dwellings to comply with Part M of the Approved Documents ie corridors to be 1050mm wide unobstructed width with a short length of no more than 2m permanent obstruction (eg for radiator), corridor to be no less than 750mm unobstructed in these areas. Permanent obstructions not to be placed opposite to a door to a room if it would prevent a wheelchair from turning. All doors to have a minimum unobstructed clear opening of 775mm (structural opening of 910mm) see diagram



This symbol indicates significant hazards which require further action, in addition to hazards and risks generally associated with works detailed on the drawing.

LINTELS OVER ALL INTERNAL AND EXTERNAL OPENINGS TO BE SPECIFIED BY STRUCTURAL ENGINEER.

NOTE : WHERE VOUSSOR FLAT BRICKWORK ARCHES ARE INDICATED (SEE ELEVATION) THEN EXTERNAL LEAF LINTEL TO BE PREFABRICATED STRUCTURAL CONCRETE BACKED VOUSSOR FLAT ARCH LINTEL MADE BY SPECIALIST MANUFACTURER, WITH INNER LEAF LINTEL SPECIFIED BY STRUCTURAL ENGINEER. CAVITY TRAY TO BE INSTALLED OVER ALL VOUSSOR LINTELS (SEE SECTION FOR DETAIL)

CAVITY TRAYS TO BE INSTALLED OVER ALL OTHER LINTELS IF LINTEL TYPE SPECIFIED REQUIRES. CAVITY TRAY TO BE POSITIONED OVER STONE HEADERS WHERE APPLICABLE. WEEPHOLES TO BE INCORPORATED IN BRICKWORK PERPENDS FOR WATER EGRESS TO ALL CAVITY TRAYS

TYPE C - PLOTS 1 & 4

JMASON ASSOCIATES CHARTERED ARCHITECTS ST THOMAS HOUSE 83 WOLVERHAMPTON ROAD CANNOCK, STAFFS, WS11 1AR T: 01543 467788 F: 01543 467755 e: enquiry@jmasonassociates.co.uk w: www.jmasonassociates.com	CLIENT	William Tyler Developments
	PROJECT	Residential Development Land off Demontfort Way Uttoxeter
REVISIONS A 06/12/2019 Lounge external & internal doors altered as per clients instruction	DRAWING	WORKING DRAWING FDN & SETTING OUT PLAN
SCALE	DATE	DRAWING NO.
1:50@A1	20-12-18	2264-300A

The copyright of this drawing is vested in the Architect. It must not be copied or reproduced without consent. Figured dimensions to be used in preference to stated and all dimensions must be checked on site by the Contractor.